
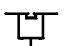
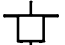
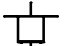






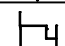
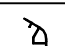
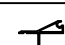




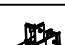









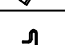
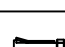
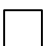
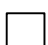
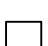
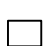
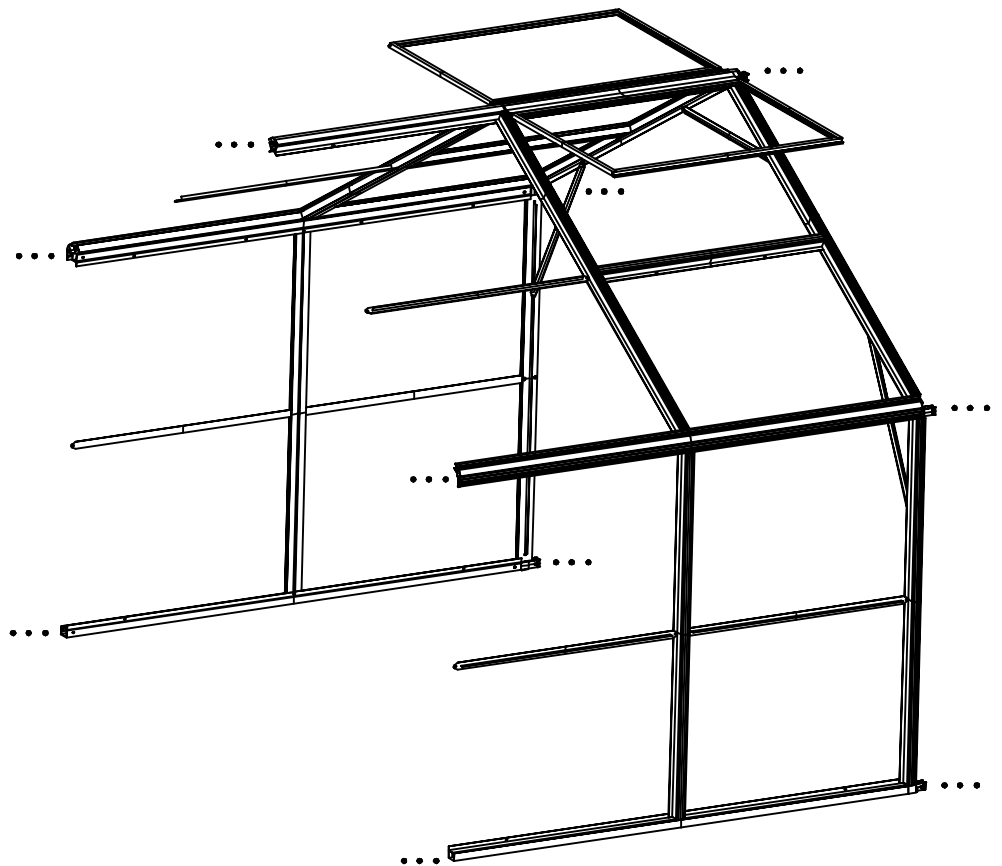
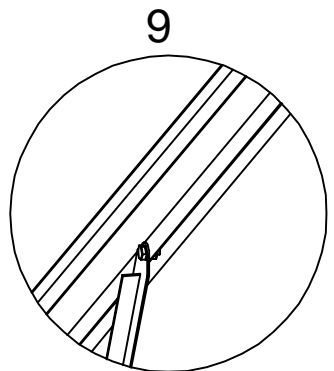
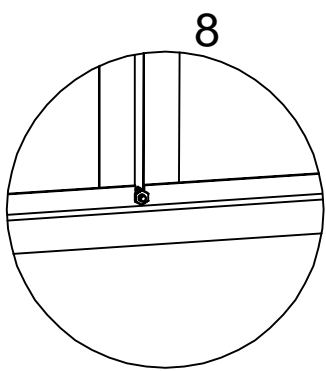
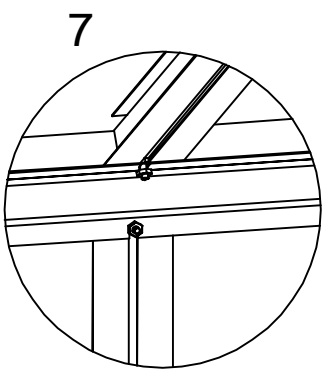
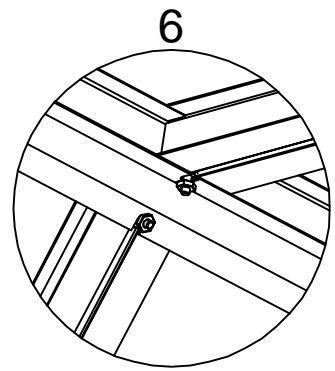
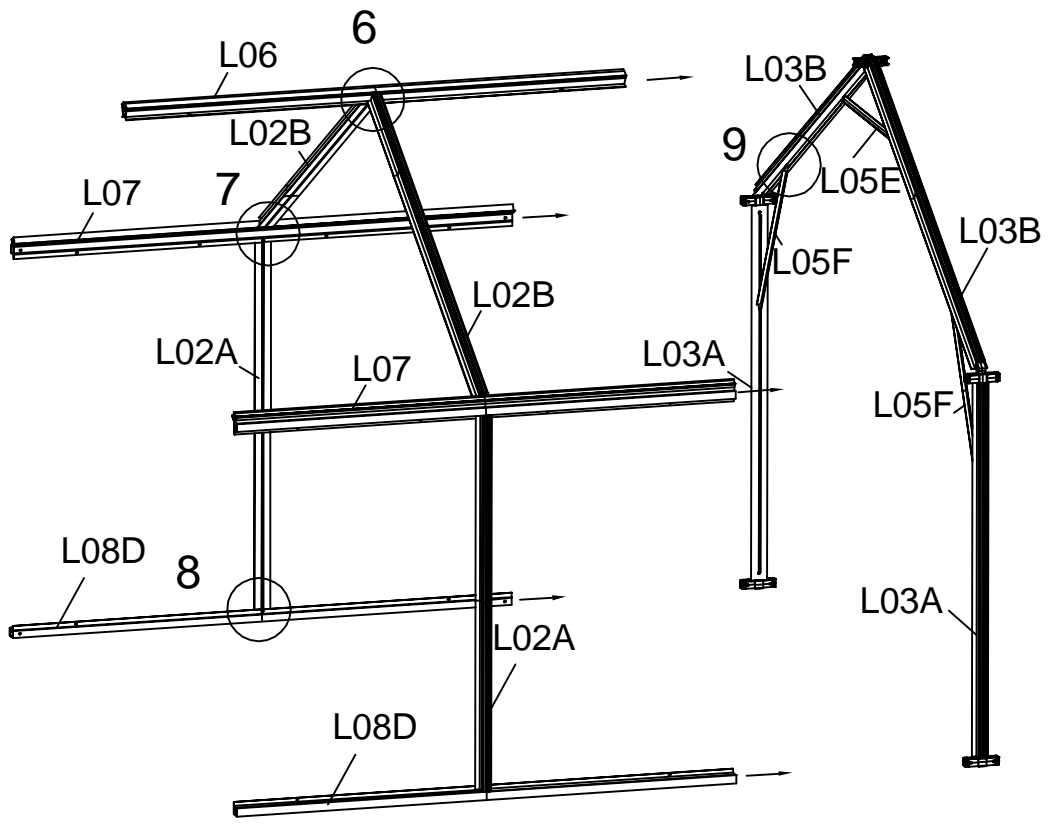


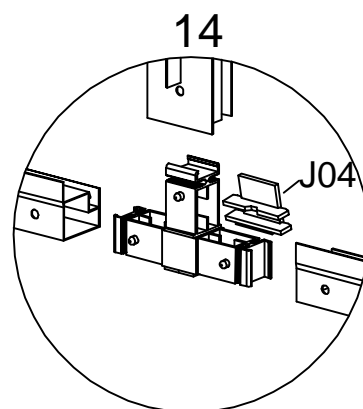
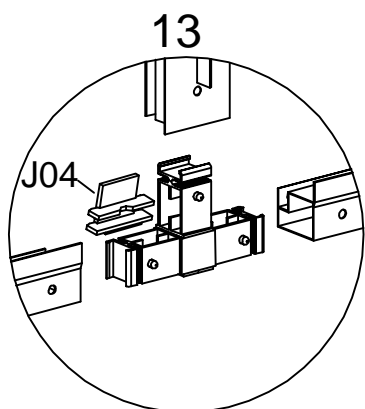
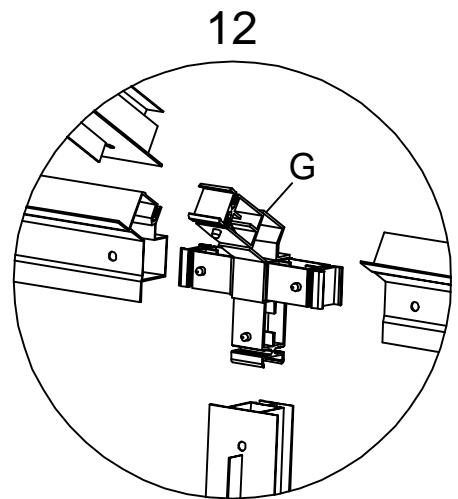
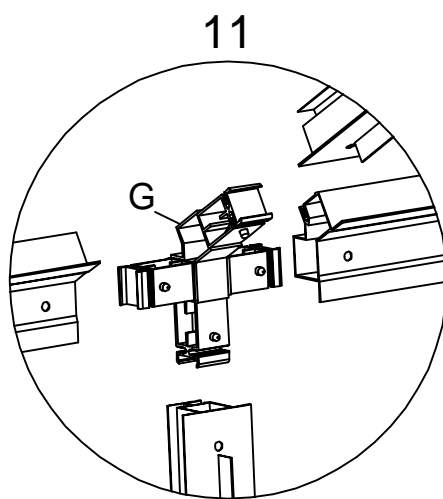
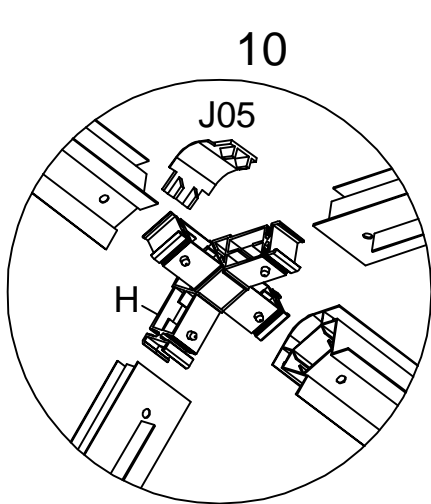
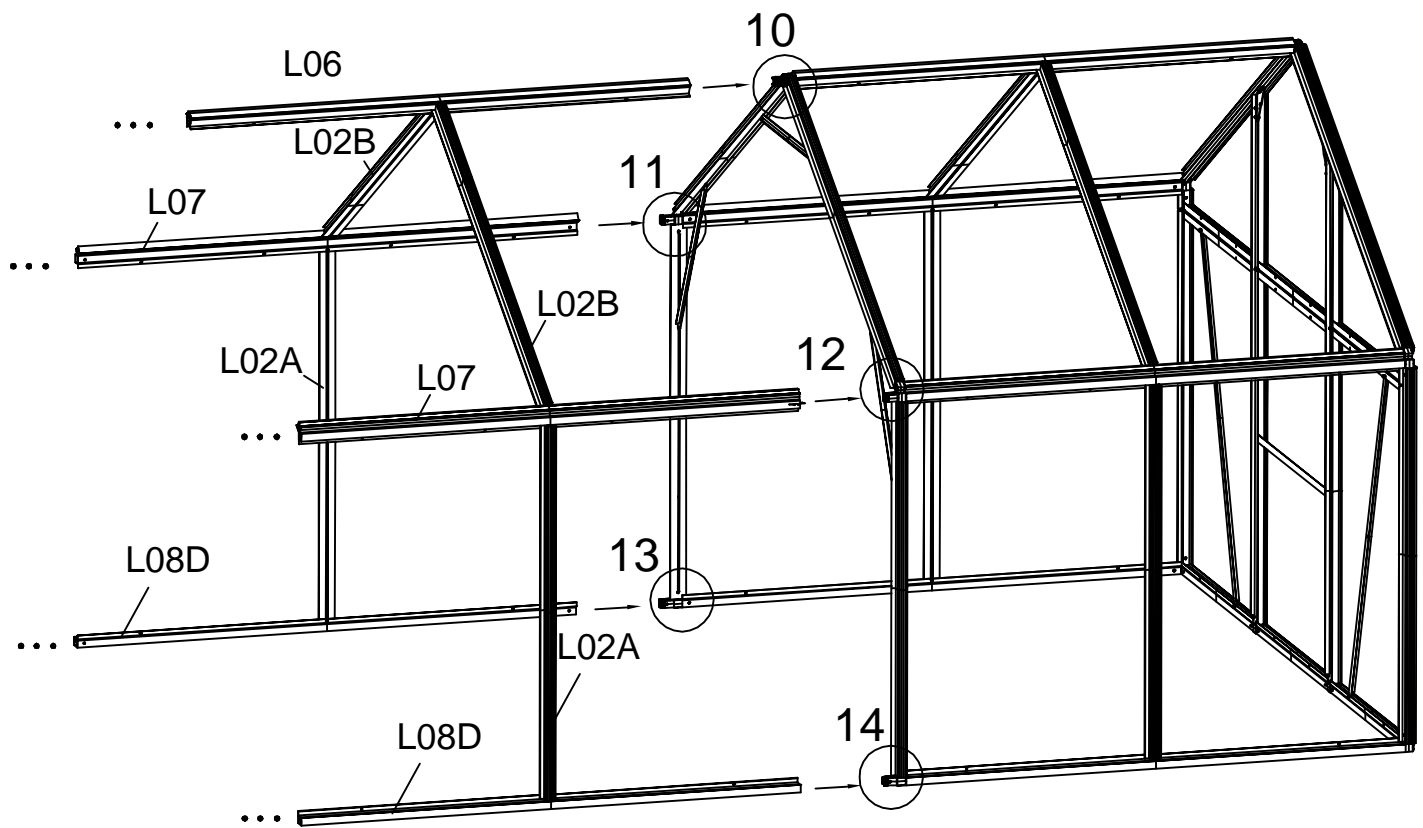
PART	NO.	QTY.
	L02A	2
	L02B	2
	L03A	2
	L03B	2
	L04A	2
	L05B	6
	L05E	1
	L05F	2
	L06	1
	L07	2
	L08D	2
	L09	2
	L15A	1
	L15B	1
	L19	4
	L20	2
	L21	2
	C	2
	G	2
	H	1
	S01	34
	S02	4
	M01	36
	Z02	12
	Z03	6
	Z04	4
	J05	1
	W05	4
	S03	4

Polycarbonate

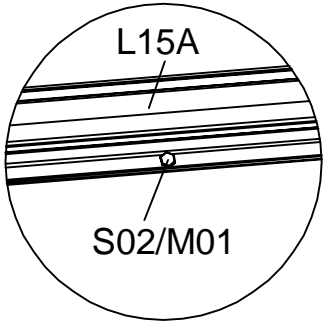
PART	NO.	QTY.
	Y6	4
	Y7	2
	Y9	2
	Y10	2



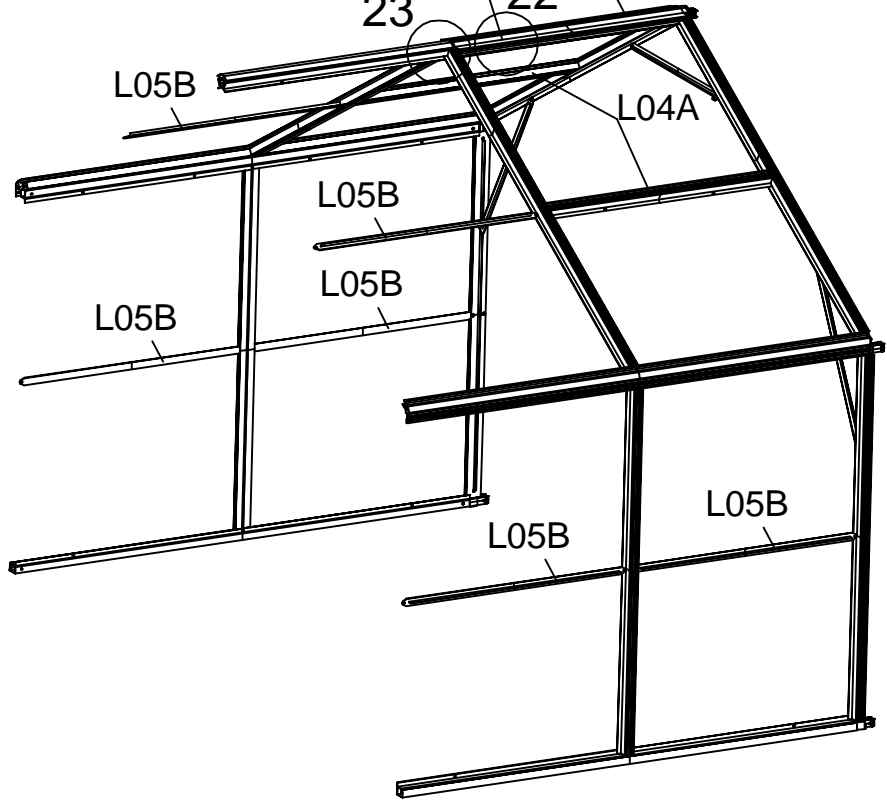




22



L15A L15B
23 22



23

